

# MOROOKA EUROPE

*HIGH EFFICIENCY IN MOTION*



## MST80CR

**Max. Payload 8T.**

**Full Rotating  
Rubber crawler carrier**

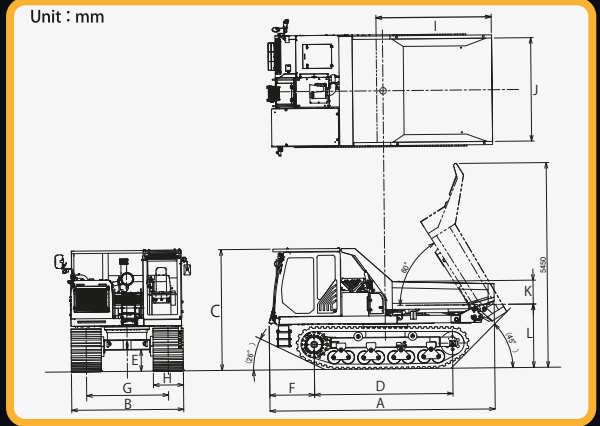
**CARRIER for SOFT, SANDY and  
ROUGH TERRAIN**



360° rotation brings more security, less stress and fatigue to the driver



Easy Control with HST drive system



Model		MST80CR									
<b>PERFORMANCE</b>				<b>DUMP BODY</b>				<b>TANK CAPACITY</b>			
Maximum Payload	Kg	8,000	Overall Length	I	mm	2,600	Fuel Tank	ℓ	230		
Loading Capacity (Struck)	m <sup>3</sup>	2.8	Overall Width	J	mm	2,350	Hydraulic Tank	ℓ	125		
Speed1 Low	Km/h	7.38	Overall Height	K	mm	500	DEF Tank	ℓ	35		
Speed2 High	Km/h	10.6	Ground Clearance	L	mm	1,585	<b>DRIVE SYSTEM</b>				
Ground Pressure(empty)	kPa	31.5	<b>ENGINE</b>				<b>HST</b>				
Ground Pressure(Loaded)	kPa	50.2	Model	KUBOTA V5009 Tier 4 final Stage 5			<b>GRADEABILITY</b>				
<b>MACHINE DIMENSION</b>							Fully loaded: 27 % (15 degree) Continuous				
Machine Weight	Kg	13,500	Nominal Output/rpm	HP(kw)/rpm	210.9(157.3)/2,200		<b>OTHER</b>				
Overall Length	A	mm	Torque	N.m/min-1	883/1,500		Cabin (ROPS/FOPS) Joystick control Hardox Dump Body Auto Deceleration Rear Camera Side Camera				
Overall Width	B	mm	<b>HYDRAULIC PUMP</b>								
Overall Height	C	mm	Main Pump	2x variable displacement axial piston pump							
Wheelbase	D	mm	3,890	Pilot pump	1x gear pump						
Min. Ground Clearance	E	mm	570	<b>HYDRAULIC MOTOR</b>							
Front Overhang	F	mm	955	Travel Motor	2x variable displacement axial piston motors						
Crawler Distance	G	mm	1,800	Swing Motor	1x axial piston motor						
Crawler Width	H	mm	700								
Crawler Size	mm	700x 100x 98									

Remarks: Specification may be changed without any notice.

**MOROOKA EUROPE**

Im Neugrund 14  
64521 Gross-Gerau, Germany  
Tel: +49 (0)61529778-0  
Fax: +49 (0)61529778-15  
Web: www.morookaeurope.com

Contact