

MOROOKA EUROPE

HIGH EFFICIENCY IN MOTION



MST-40CR

Max. Payload 4T.

Full Rotating
Rubber crawler carrier

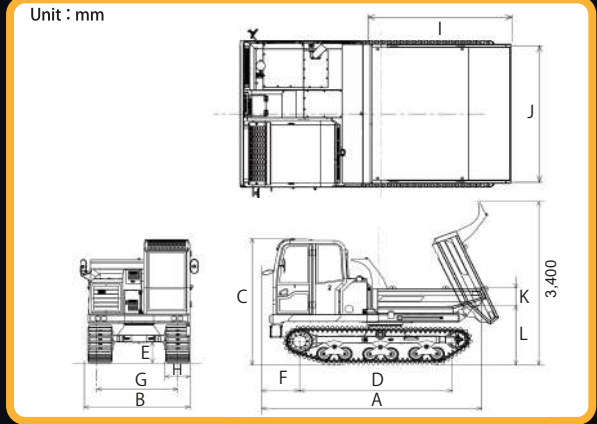
CARRIER for SOFT, SANDY and
ROUGH TERRAIN



360° rotation brings more security, less stress and fatigue to the driver



Easy Control with HST drive system



| Model | | MST40CR | | | | | | | | |
|----------------------------------|----------------|----------|------------------------|---|--|-------|---|---|-----|--|
| PERFORMANCE | | | | DUMP BODY | | | TANK CAPACITY | | | |
| Maximum Payload | Kg | 4,000 | Overall Length | I | mm | 2,000 | Fuel Tank | ℓ | 105 | |
| Loading Capacity (Struck/Heaped) | m ³ | 1.48/1.8 | Overall Width | J | mm | 1,900 | Hydraulic Tank | ℓ | 85 | |
| Speed1 Low | Km/h | 7.6 | Overall Height | K | mm | 370 | Liquide cooling Tank | ℓ | 6.7 | |
| Speed2 High | Km/h | 10.8 | Ground Clearance | L | mm | 1,220 | DRIVE SYSTEM | | | |
| Ground Pressure(empty) | kPa | 25.9 | ENGINE | | | | HST | | | |
| Ground Pressure(Loaded) | kPa | 46.8 | Model | KUBOTA V3307 Tier 4 final Stage 5 | | | GRADEABILITY | | | |
| MACHINE DIMENSION | | | | | | | Fully loaded: 27 % (15 degree) Continuous | | | |
| Machine Weight | Kg | 5,100 | Nominal Output/rpm | HP(kw)/rpm | 71.4(52.5)/2,600 | | OTHER | | | |
| Overall Length | A | mm | Torque | N.m/min-1 | 258.6/1,500 | | Cabin (ROPS/FOPS) Heater Joystick control No DEF Maintenance | | | |
| Overall Width | B | mm | HYDRAULIC PUMP | | | | | | | |
| Overall Height | C | mm | Main Pump | | 2x variable displacement axial piston pump | | | | | |
| Wheelbase | D | mm | Pilot pump | | 1x gear pump | | | | | |
| Min. Ground Clearance | E | mm | HYDRAULIC MOTOR | | | | | | | |
| Front Overhang | F | mm | Travel Motor | | 2x variable displacement axial piston motors | | | | | |
| Crawler Distance | G | mm | Swing Motor | | 1x axial piston motor | | | | | |
| Crawler Width | H | mm | | | | | | | | |
| Crawler Size | | mm | 500 x 90 x 78 | | | | | | | |

Remarks: Specification may be changed without any notice.

MOROOKA EUROPE

Im Neugrund 14
64521 Gross-Gerau, Germany
Tel: +49 (0)61529778-0
Fax: +49 (0)61529778-15
Web: www.morookaeurope.com

Contact