

MOROOKA EUROPE

HIGH EFFICIENCY IN MOTION



MST80C

Max. Payload 8T.

Rubber Crawler Carrier

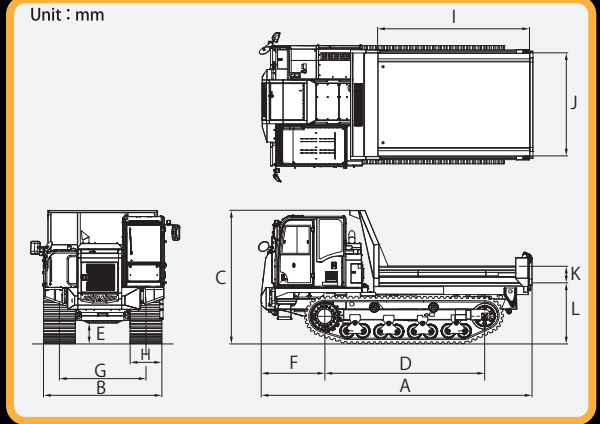
**CARRIER for SOFT, SANDY and
ROUGH TERRAIN**



Long and wide rubber crawler to provide low ground pressure as well as stability and excellent traction



Easy Control with HST drive system



Model		MST80C									
PERFORMANCE				DUMP BODY			TANK CAPACITY				
Maximum Payload	Kg	8,000		Overall Length	I	mm	3,100		Fuel Tank	ℓ	251
Loading Capacity (Struck/Heaped)	m ³	2.5/4.2		Overall Width	J	mm	2,200		Hydraulic Tank	ℓ	125
Speed1 Low	Km/h	6.47		Overall Height	K	mm	370		DEF Tank	ℓ	33.54
Speed2 High	Km/h	9.3		Ground Clearance	L	mm	1,320		DRIVE SYSTEM		
Ground Pressure(empty)	kPa	25.7		ENGINE			HST				
Ground Pressure(Loaded)	kPa	44.4		Model	Cummins B6.7 Tier 4 final Stage 5			GRADEABILITY			
MACHINE DIMENSION							Fully loaded: 36 % (20 degree) Continuous				
Machine Weight	Kg	11,000		Nominal Output/rpm	HP(kw)/rpm	228.4(168)/2,200		OTHER			
Overall Length	A	mm	5,840	Torque	N.m/min-1	1,186/1,800		Cabin (ROPS/FOPS) Air conditioner Joystick control Hardox Dump Body Auto-Deceleration Radio			
Overall Width	B	mm	2,650	HYDRAULIC PUMP							
Overall Height	C	mm	2,930	Main Pump	2x variable displacement axial piston pump						
Wheelbase	D	mm	3,890	Pilot pump	1x gear pump						
Min. Ground Clearance	E	mm	540	HYDRAULIC MOTOR							
Front Overhang	F	mm	1,050	Travel Motor							
Crawler Distance	G	mm	1,800	2x Constant displacement axial piston motors							
Crawler Width	H	mm	700								
Crawler Size		mm	700x 100x 98								

Remarks: Specification may be changed without any notice.

MOROOKA EUROPE

Im Neugrund 14
 64521 Gross-Gerau, Germany
 Tel: +49 (0)61529778-0
 Fax: +49 (0)61529778-15
 Web: www.morookaeurope.com

Contact